



M-POWER-3T

AC POWER & DATA CONNECTIVITY SOLUTION
3T-AUZ-BZAB

Distributed by

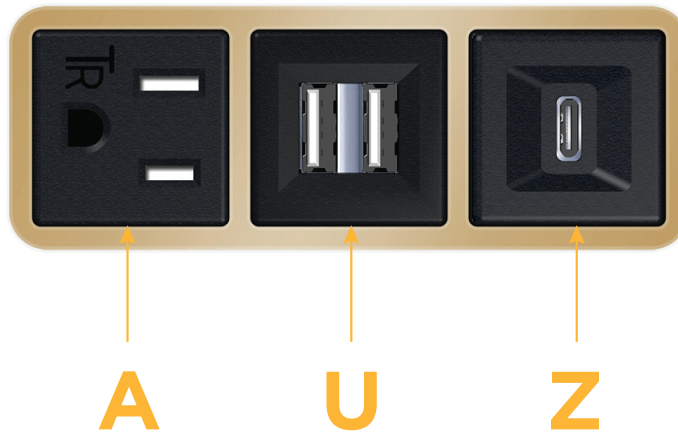


Mormax Company, Inc.
8 Westchester Plaza
Elmsford, NY 10523

914-699-0101
sales@mormax.com
mormax.com

Metro Light & Power's line of power & data solutions offers sophisticated design elements combined with greater ease of installation. Streamlined and low-profile, enhanced by side-exiting cords, our outlets advance the industry with their cutting-edge look and feel. We believe flexibility is key, and we provide a variety of mounting options, including the ability to mount in limited spaces. Our outlets are available in many finishes and configurations, in addition to a custom color and finish capability for our clients.

Bezel Finish: **BRONZE (ABS)**
Custom Finishes Available M-POWER-3T-AUZ-BZAB



Features:

Module/Port Options:

- A** Tamper Resistant AC Receptacle
- U** Double USB (Fast Charging Ports - Rated for 3.2A)
- H** HDMI
- 6** CAT 6
- 12** RJ 12
- X** Switched AC
- Y** 3-Way Switch
- C** USB-C (27W High Speed Charging Port)
- Z** USB-C (18W High Speed Charging Port)
- R** Switched AC (Rocker Switch)

Plug:

- Supplied with Low Profile Flat 45° Angle 120 VAC Plug
- Optional Standard Straight 120 VAC Plug
- Optional Straight 120 VAC Pass-through Plug

Shown in Antiqued Bronze (ABS) Bezel, featuring 1 Tamper Resistant AC, 1 USB Charging Port, and 1 USB-C Charging Port.

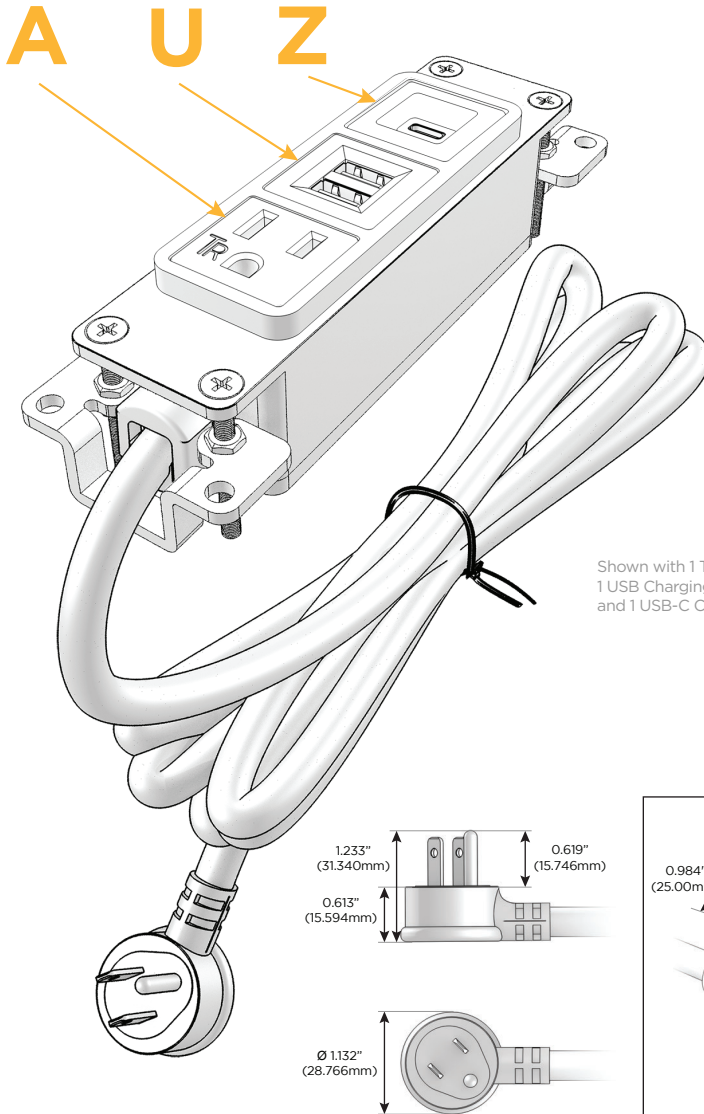
- **CLEAN, COMPACT DESIGN**
- **STREAMLINED**
- **LOW PROFILE**
- **SIDE-EXITING CORDS**
- **PLUG & PLAY**
- **3.2A HIGH SPEED USB CHARGING FOR ALL DEVICES**
- **18W USB-C HIGH SPEED CHARGING FOR ALL DEVICES**
- **CUSTOMIZABLE CONFIGURATIONS AND FINISHES**
- **UL LISTED FOR MOUNTING IN FURNITURE**
- **15A**



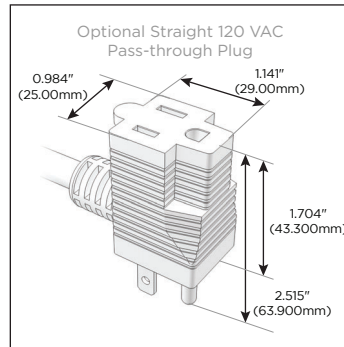
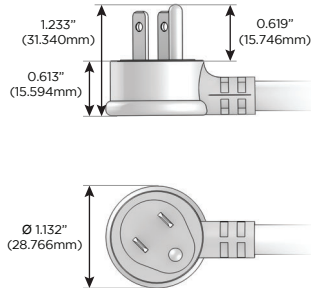
Specs:

Modules/Ports:

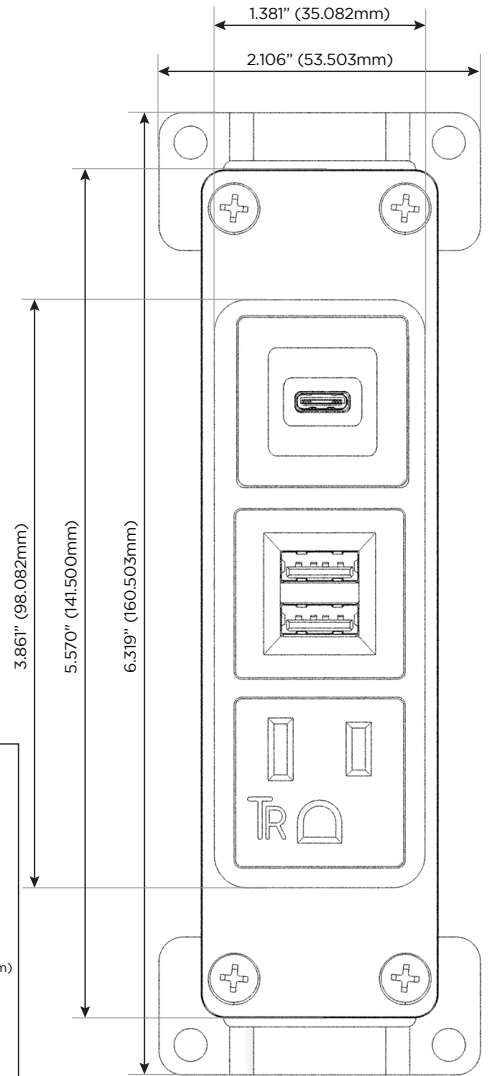
- A** Tamper Resistant AC Receptacle
- U** Double USB (Fast Charging Ports - Rated for 3.2A)
- Z** USB-C (18W High Speed Charging Port)



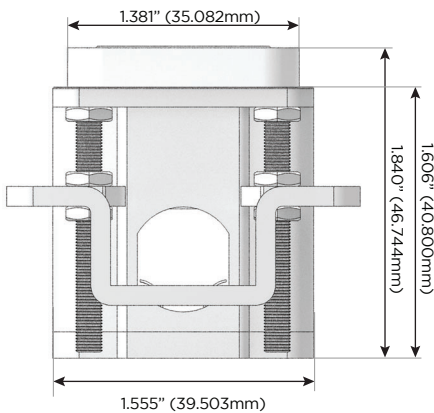
Shown with 1 Tamper Resistant AC, 1 USB Charging Port, and 1 USB-C Charging Port.



TOP



END



SIDE

