



M-POWER-1T

AC POWER & DATA CONNECTIVITY SOLUTION

M-POWER-1TBZ2-B-BZ2RNDAB

Metro Light & Power's line of power & data solutions offers sophisticated design elements combined with greater ease of installation. Streamlined and low-profile, enhanced by side-exiting cords, our outlets advance the industry with their cutting edge look and feel. We believe flexibility is key, and we provide a variety of mounting options, including the ability to mount in limited spaces. Our outlets are available in many finishes and configurations, in addition to a custom color and finish capability for our clients.

Distributed by



Mormax Company, Inc.

8 Westchester Plaza

Elmsford, NY 10523

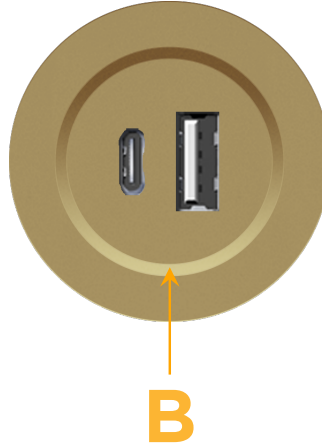
914-699-0101

sales@mormax.com

mormax.com

Bezel Finish: **UNICOLOR™ BRONZE (ABS)**

Custom Finishes Available M-POWER-1TBZ2-B-BZ2RNDAB



Features:

Module/Port Options:

- A Tamper Resistant AC Receptacle
- B USB-A & USB-C (3.0A USB-A / 15W USB-C)
- U Double USB-A (Fast Charging Ports - Rated for 3.2A)
- H HDMI
- 6 CAT 6
- 12 RJ 12
- X Switched AC
- Y 3-Way Switch (Low Voltage)
- Z USB-C (18W High Speed Charging Port)
- R Switched AC (Rocker Switch)

Plug:

- Supplied with Low Profile Flat 45° Angle 120 VAC Plug
- Optional Standard Straight 120 VAC Plug
- Optional Straight 120 VAC Pass-through Plug

- CLEAN, COMPACT DESIGN
- STREAMLINED
- LOW PROFILE
- SIDE-EXITING CORDS
- PLUG & PLAY
- 6' AC CORD & PLUG (FLAT PLUG STANDARD)
- CUSTOMIZABLE CONFIGURATIONS AND FINISHES
- UL LISTED FOR MOUNTING IN FURNITURE
- 15A



M-POWER-1T

AC POWER & DATA CONNECTIVITY SOLUTION

M-POWER-1TBZ2-B-BZ2RNDAB

Specs:

Modules/Ports:

- B** USB-A & USB-C (3.0A USB-A / 15W USB-C)

Distributed by



Mormax Company, Inc.

8 Westchester Plaza

Elmsford, NY 10523

914-699-0101

sales@mormax.com

mormax.com

